



TopSolid

Wood

Increased productivity thanks to improvements to the user interface.

Navigate the software more easily thanks to the visualization cube.

Boost your designs thanks to the new assembly kits with their quick and easy positioning.

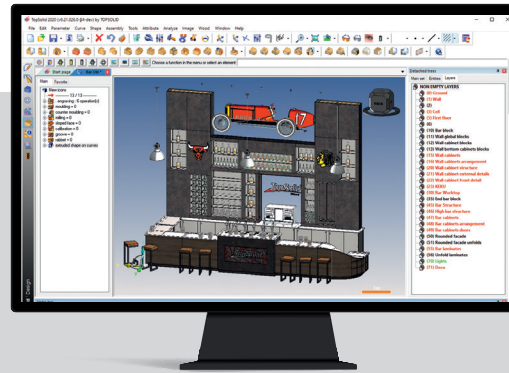
Better performance on nesting management thanks to the dynamic movement of parts between supports.

Even more automation with multi-machining of the part subsets.



www.topsolid.com

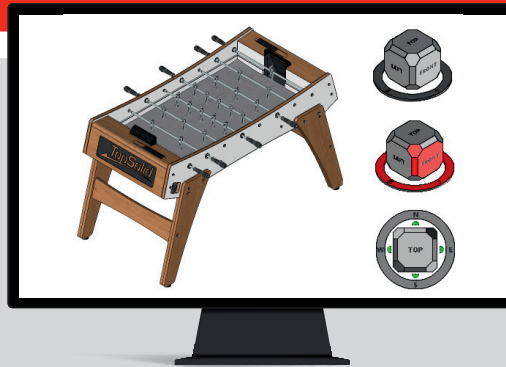
CHECK OUT THE LATEST NEW FEATURES



1 – Graphical interface, new tools, new features

Increased productivity thanks to a second tree available to manage your data.

New modeling features for greater efficiency.
Hettich/Grass hardware library.



2 – Visualization cube

Simplified handling of your projects thanks to the visualization cube.

6 main views and 16 predefined perspective views.

Automatic zoom.

Dynamic rotation on the 3 priority axes.

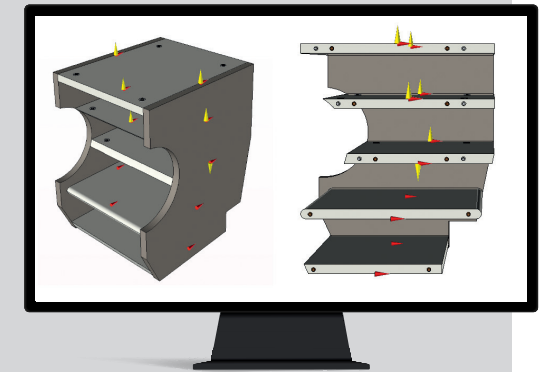
Compass display.

3 – Assembly kit

Even more relevant assembly methods.

Automatic processing of special cases.

Possible adjustment thanks to the graphic handles.



4 – Improvements to the part nesting

More flexibility thanks to the movement of parts between supports.

Even more control thanks to the new data organization.



5 – Automatic machining of sub-sets

Possible multi-processing of the sets and subsets for more automation.